

Low differential pressure gauge

Model: P880 series

Spec. sheet no. PD08-08

Service intended

This gauge is used to measure a pressure of air and gas duct, furnace draft, negative pressure room, also, a differential pressure of filter, venturi tube and etc. This gauge have a high quality, low cost, good appearance and wide scale range.

Nominal diameter

100 mm

Accuracy

±2.0 % of full scale

-5 ~ 5, -25 ~ 25 and 0 ~ 10 mm : ±3.0 % of full scale

0 ~ 3000 mm : ±4.0 % of full scale

Scale range (kPa)

-0.25 to 0.25 kPa, 0~50 kPa

Working pressure

- Steady pressure : 75 % of full scale
- Over pressure protection : 100 kPa

Working temperature

Ambient : -10 ~ 60 °C

Temperature effect

Accuracy at temperature above and below the reference temperature (20 °C) will be effected by approximately ±1.0 % per 10 °C of full scale



Standard features

Pressure connection

1/8" NPT(F)

Dial

White aluminium with black graduations

Case and cover

Gray painted aluminium die casting

Pointer

Black painted aluminium alloy

Window

Acrylic resin

Element (Wetted parts)

Silicone rubber

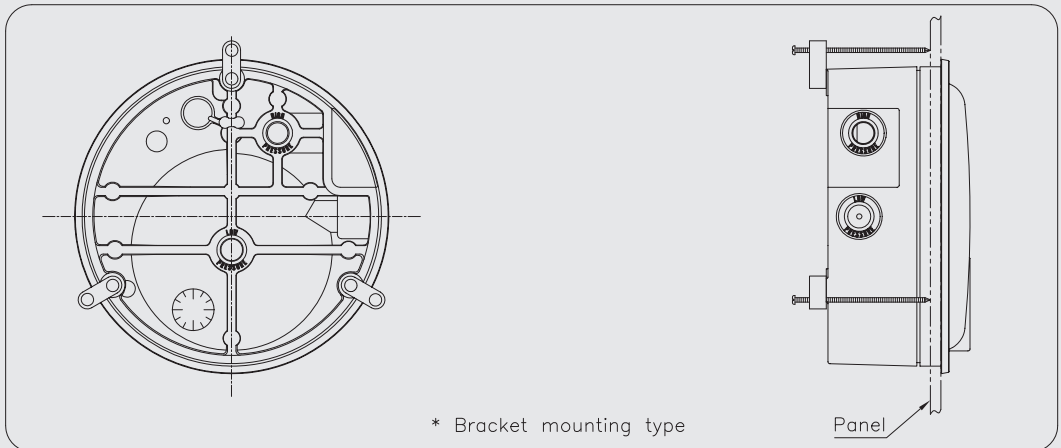
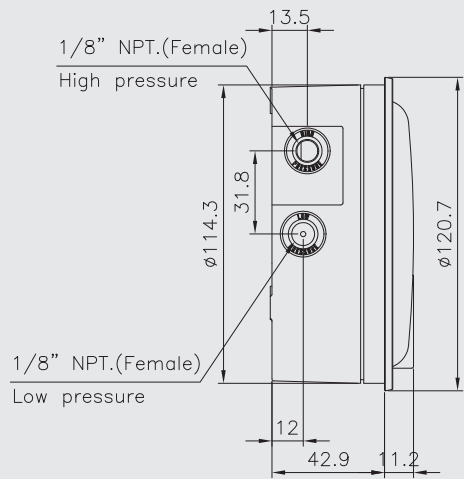
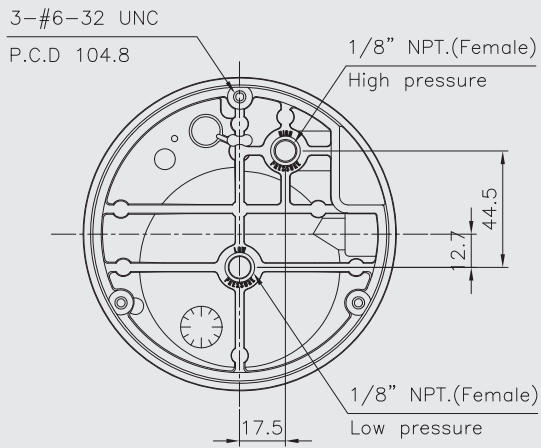
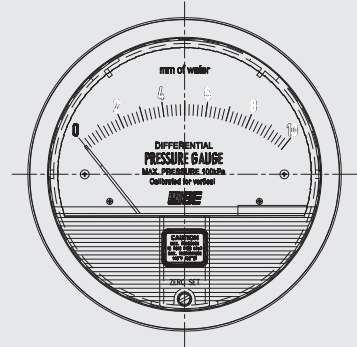
1. Base model**P880** Low differential pressure gauge**2. Nominal diameter****4** 100 mm**3. Type of mounting****L** Back connection, flush, case center mounting plate**4. Accuracy****5** ±2.0 % of full scale**6** ±3.0 % of full scale (-5 ~ 5, -25 ~ 25 and 0 ~ 10 mm)**7** ±4.0 % of full scale (0 ~ 3000 mm)**5. Process connection****B** 1/8"**6. Connection type****D** NPT(F)**7. Unit****G** mm**J** kPa**8. Range (mm)**

432	-5 ~ 5	457	0 ~ 100
553	-25 ~ 25	460	0 ~ 200
422	-50 ~ 50	462	0 ~ 300
421	-100 ~ 100	465	0 ~ 500
418	-250 ~ 250	469	0 ~ 1000
413	-500 ~ 500	437	0 ~ 2000
506	0 ~ 10	043	0 ~ 3000
510	0 ~ 50	XXX	Other

9. Dial color**1** 2 colors**3** 3 colors**10. Options****0** None**1** Mounting bracket

1	2	3	4	5	6	7	8	9	10	Sample ordering code
P880	4	L	5	B	D	J	432	1	0	

P880 : Type of mounting



A large, empty rectangular box with a thin black border, intended for writing a memo.