

Direct reading thermometer with adjustable stem

Model : T290

Spec. sheet no. TD02-14

Service intended

This thermometer is used for measuring temperature of corrosive and non-corrosive fluid in all industries. It operates in aggressive and non-aggressive environment. Linear dials and temperature compensate line assure an accurate temperature indication at varying ambient conditions.

Nominal diameter

100 and 150 mm

Accuracy

±2.0 % of full scale

Measuring system (SAMA class IIIB)

Organic gas : 0 ~ 200 °C

Inert gas : -200 ~ 700 °C

Working range

Maximum scale value



Standard features

Location of stem

Lower back with adjustable stem

Pointer

Black painted aluminium alloy

Case

304SS, Adjustable on stem 90°

Stem

8.0, 10.0 and 12.0 mm
316SS and 316L SS

Cover

304SS

Zero adjustment

Internal

Window

Tempered safety glass

Stem, process connection

3/8", 1/2", 3/4" PT, NPT and PF

Dial

White aluminium with black graduation

Stem connection type

Movable thread

Option

±1.0 % of full scale

1. Base model

T290 Direct reading thermometer with adjustable stem

2. Nominal diameter (mm)

- 4 100
- 6 150

3. Type of mounting

- Y Lower back with adjustable stem

4. Stem material

- 1 316SS
- 2 316L SS

5. Stem, process connection

- A None
- D $\frac{3}{8}$ "
- E $\frac{1}{2}$ "
- F $\frac{3}{4}$ "

6. Stem connection type (CF: Compression fitting)

- A None
- E CF + PT
- F CF + NPT
- G CF + PF
- H MT + PT (Movable thread)
- I MT + NPT (Movable thread)
- J MT + PF (Movable thread)

7. Stem outer diameter (mm)

- 2 8.0
- 3 10.0
- 4 12.0
- Z Other

8. Range

XXX Refer to scale range table

9. Insertion length

- X Refer to insertion length table

10. Accessories

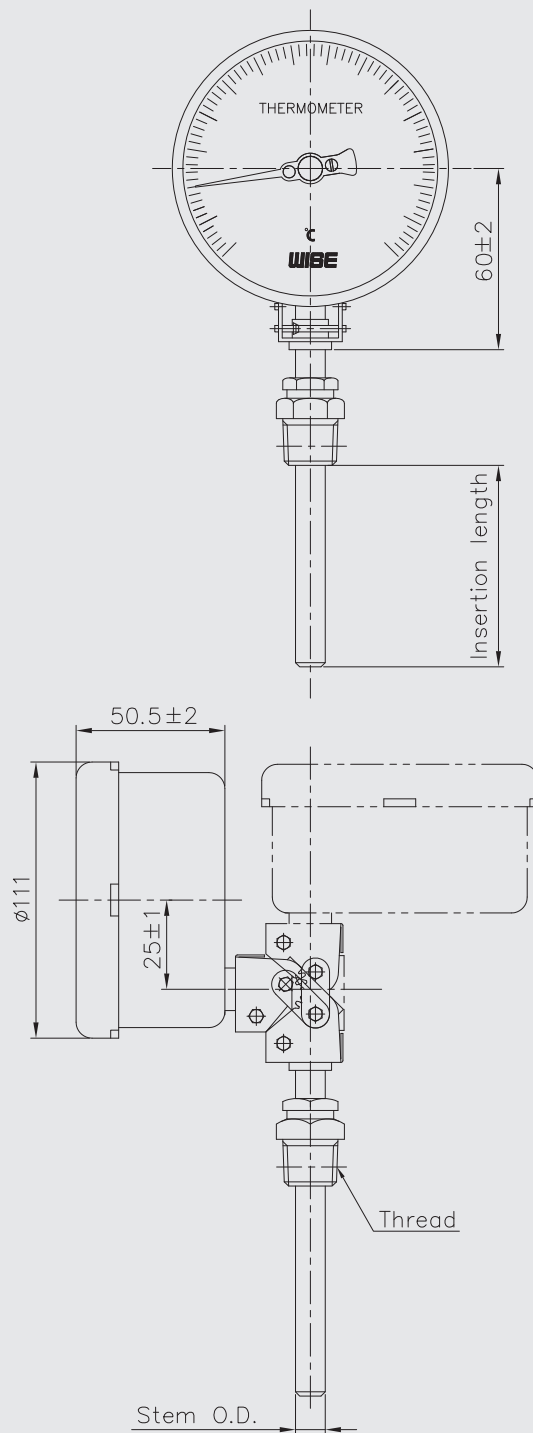
- 0 None
- 1 Thermowell
- S Special accuracy (± 1.0 % of full scale)
- T Thermowell and special accuracy

| | | | | | | | | | |
|------|---|---|---|---|---|---|-----|---|----|
| 1 | 2 | 3 | 4 | 5 | 6 | 7 | 8 | 9 | 10 |
| T290 | 4 | Y | 1 | E | C | 3 | XXX | X | 1 |

Sample
ordering code

T290 : Type of mounting

Code Y



Scale ranges

| Code | Scale range (°C) | Scale spacing (°C) | Minimum stem length (mm) | | |
|------|------------------|--------------------|--------------------------|------|------|
| | | | 8.0 | 10.0 | 12.0 |
| 031 | -200 ~ 100 | 5 | 500 | 500 | 500 |
| 032 | -50 ~ 50 | 2 | 100 | 85 | 65 |
| 037 | -50 ~ 100 | 5 | 100 | 85 | 65 |
| 054 | -30 ~ 50 | 2 | 100 | 88 | 65 |
| 059 | -30 ~ 100 | 5 | 100 | 85 | 65 |
| 061 | -30 ~ 120 | 2 | 100 | 85 | 65 |
| 069 | -20 ~ 50 | 2 | 100 | 85 | 65 |
| 074 | -20 ~ 100 | 2 | 100 | 85 | 65 |
| 079 | -20 ~ 150 | 5 | 100 | 85 | 65 |
| 084 | -10 ~ 50 | 1 | 100 | 85 | 65 |
| 099 | 0 ~ 50 | 1 | 100 | 85 | 65 |
| 100 | 0 ~ 60 | 1 | 100 | 85 | 65 |
| 101 | 0 ~ 70 | 2 | 100 | 85 | 65 |
| 102 | 0 ~ 80 | 1 | 100 | 85 | 65 |
| 104 | 0 ~ 100 | 2 | 100 | 85 | 65 |
| 106 | 0 ~ 120 | 2 | 100 | 85 | 65 |
| 109 | 0 ~ 150 | 2 | 100 | 85 | 65 |
| 114 | 0 ~ 200 | 5 | 100 | 85 | 65 |
| 119 | 0 ~ 250 | 5 | 100 | 85 | 65 |
| 124 | 0 ~ 300 | 5 | 100 | 85 | 65 |
| 129 | 0 ~ 350 | 5 | 100 | 85 | 65 |
| 134 | 0 ~ 400 | 5 | 100 | 85 | 65 |
| 144 | 0 ~ 500 | 10 | 100 | 85 | 65 |
| 154 | 0 ~ 600 | 10 | 100 | 85 | 65 |
| 164 | 0 ~ 700 | 10 | 100 | 85 | 65 |

* 0 ~ 700 °C/Special range

* -200 ~ 100 °C/Special range

Insertion length

| Code | 1 | 2 | 3 | 4 | 5 | 6 | 7 | 8 | 9 | A | B | C |
|-------------|----|----|----|----|-----|-----|-----|-----|-----|-----|-----|-----|
| Length (mm) | 50 | 60 | 70 | 80 | 100 | 120 | 130 | 150 | 175 | 200 | 225 | 250 |

| Code | D | E | F | G | H | J | K | L | M | N | P |
|-------------|-----|-----|-----|-----|-----|-----|-----|-----|-------|-------|-------|
| Length (mm) | 275 | 300 | 350 | 375 | 400 | 450 | 500 | 550 | 1,000 | 1,500 | 2,000 |